

## General Specifications

### Titan™ 130 Gas Turbine

- Industrial, Single-Shaft
- 14 Stage Axial Compressor
  - Variable Inlet Guide Vanes and Stators
  - Pressure Ratio: 17.1:1
  - Inlet Airflow: 49.1 kg/sec (108.3 lb/sec)
  - Vertically Split Case
- Combustion Chamber, Annular-Type
  - 21 Conventional Fuel Injectors
  - 14 Lean-Premixed, Dry Low Emissions SoLoNOx Injectors
  - Single Torch Ignitor System
- Power Turbine
  - 3-Stage Reaction
  - Clockwise Rotation
- Bearings
  - 3 Radial Journal: Tilt-Pad
  - 1 Thrust, Active: Tilt-Pad
  - 1 Thrust, Inactive: Fixed Tapered Land
- Coatings
  - Compressor: Inorganic Aluminum
  - Turbine and Nozzle Blades: Platinum Aluminide (Stages 1 and 2)
- Vibration Transducer Type
  - Proximity Probes, 2 per Radial Bearing/ 2 per Thrust Bearing

### Main Reduction Drive

- Epicyclic Type
  - 1500 or 1800 rpm (50 or 60 Hz)
  - Vibration monitoring: Acceleration Transducer

### Generator

- 4 Pole, 3 Phase, 6 Wire, Wye Connected, Synchronous with Permanent Magnet Generator Exciter
- Available Construction Types:
  - Open Drip-Proof Construction
  - CACA/TEAAC (Closed Air, Cooling Air/ Totally Enclosed, Air to Air Cooling)\*
  - CACW/TEWAC (Closed Air, Cooling Water/Totally Enclosed, Water to Air Cooling)\*
- Sleeve Bearings
- Vibration Monitoring: Velocity Transducers
- Vibration Monitoring: Displacement Transducers\*

- NEMA Class F Insulation
- Class F Temperature Rise
- Class B Temperature Rise\*
- Continuous Duty Rating Voltages:
  - 3300, 6600, 11 000 (50Hz)
  - 4160, 6900, 12 470, 13 200, 13 800 (60Hz)

### Package

- Mechanical Construction
  - Steel Base Frame with Drip Pans
  - 316L Stainless Steel Piping
  - Compression Type Tube Fittings
- Start System
  - Direct Drive AC Motor with VFD Control
- Package Electrical Certification
  - NEC, CSA Class 1, Group D, Div.2
- Fuel System
  - Natural Gas
  - Diesel\*
  - Dual (Natural Gas and Diesel)\*
  - Low BTU Gas\*
- Integrated Lube Oil System
  - Turbine-Driven Lube Pump
  - AC Motor Driven Pre/Post Lube Pump
  - DC Motor Driven Backup Lube Pump
  - Air to Oil Cooler
  - Water to Oil Cooler\*
  - Integral Lube Oil Tank
  - Lube Oil Tank Heater
  - Lube Oil Filter
  - Duplex Lube Oil Filter\*
  - Oil Tank Vent Separator with Flame Arrestor
- Air Inlet and Exhaust Systems
  - Carbon Steel
  - Stainless Steel\*
  - Barrier Type Filters
  - Self-Cleaning Filters
  - Inlet and Exhaust Silencers
  - Inlet Evaporative Cooler\*
  - Inlet Chiller Coils\*
- Enclosure
  - Complete Package
  - Driver Only\*
  - Fire Detection and CO2 Suppression System

- Turbine Compressor Cleaning Systems
  - On-Crank/On-Line
  - Portable Cleaning Tank\*
- Package Power
  - 120VDC Battery/Charger System
- TurboTronic™ 4 On-Skid Gas Turbine and Generator Control System Features
  - Combination Generator Control Module with Load Share, Auto Synchronization, Voltage Control
  - Standard Display with Discrete Event Log, Strip Chart, Historical Trend, Maintenance Screen
  - Vibration and Temperature Monitoring
  - English Display Text and Labels
  - Spanish, Portuguese, German, French or Simplified Chinese Display Text
  - Auxiliary and Remote Display/Control Terminals\*
  - Turbine Performance Map\*
  - KW Import Control\*
  - KVAR/Power Factor Control\*
  - ControlNet Redundant Media, Ethernet, Data Highway Plus or Modbus RS232C/422/485 Supervisory Interface\*
  - Heat Recovery Application Interface\*
  - Multi-Unit Applications: Load Shed Control, Import/Export or kW/KVAR Control Panels\*
  - InSight System™ Equipment Health Management\*
  - Printer/Logger\*
- Electrical System Options
  - Neutral Grounding Resistor or Transformer\*
  - Switchgear and Generator Protective Relay\*
  - Motor Control Center with Automatic Transfer Switch\*
- Documentation
  - Drawings
  - Quality Control Data Book
  - Inspection and Test Plan
  - Test Reports
  - O&M Manuals
- Factory Testing of Turbine
- Factory Testing of Package Systems
  - Non-Dynamic
  - Dynamic

### Performance

Output Power	15,000 kWe
Heat Rate	10 230 kJ/kWe-hr (9695 Btu/kWe-hr)
Exhaust Flow	179 250 kg/hr (395,180 lbs/hr)
Exhaust Temperature	495°C (925°F)

### Application Performance

Steam (Unfired)	29.2 tonnes/hr (64,490 lb/hr)
Steam (Fired)	134.1 tonnes/hr (295,730 lb/hr)
1536°C (2800°F)	
Chilling (Absorp.)	25 240 kW (7170 refrigeration tons)

Nominal rating – per ISO  
At 15°C (59°F), sea level

No inlet/exhaust losses

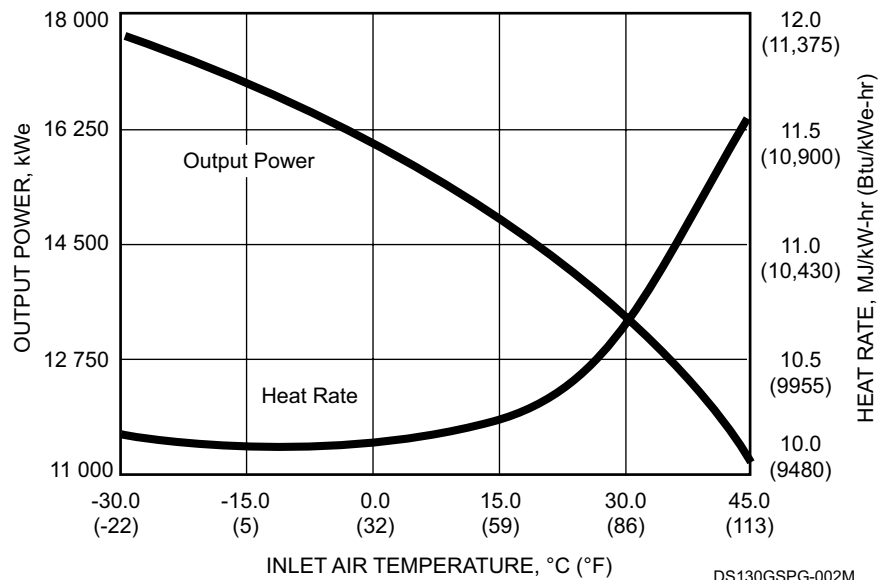
Relative humidity 60%

Natural gas fuel with  
LHV = 35 MJ/Nm<sup>3</sup> (940 Btu/scf)

No accessory losses

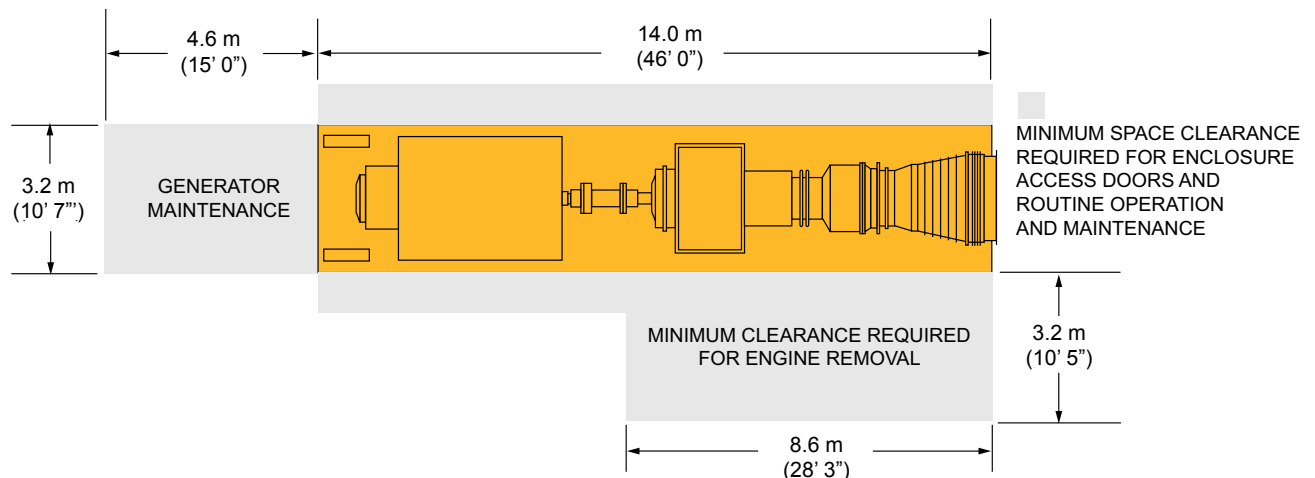
Engine efficiency: 35.2%  
(measured at generator terminals)

### Available Power



DS130GSPG-002M

### Enclosure Access and Maintenance Space



Package Height: 3.9 m (12' 11")

Package Weight: 86 900 kg (191,000 lb)

DS130PG-003C

Solar Turbines Incorporated  
P.O. Box 85376  
San Diego, CA 92186-5376

Caterpillar is a trademark of Caterpillar Inc.  
Solar, Titan, and Turbotronic are trademarks of Solar Turbines Incorporated.  
Specifications subject to change without notice. Printed in U.S.A.  
© 2013 Solar Turbines Incorporated. All rights reserved.  
DS130PG/0113/EO

### FOR MORE INFORMATION

Telephone: (+1) 619-544-5352

Telefax: (+1) 858-694-6715

E-mail: [powergen@solarturbines.com](mailto:powergen@solarturbines.com)

Internet: [www.solarturbines.com](http://www.solarturbines.com)

